



**KODIAK SEATING SYSTEM** **RSL**  
*TELESCOPIC SEATING BY* **MANUFACTURING**





# Kodiak Seating System by



Working with RSL will give you the confidence that comes with knowing that your facility is in good hands.

For over 50 years, RSL has been committed to giving you the highest quality products and technical support for your gymnasium facility, arena or auditorium. Together with our growing international dealer network we can help simplify the difficult questions that accompany the critical process of space planning - maximizing your facility's functionality and guiding you through the seemingly endless maze of code requirements.

RSL's established reputation for quality, reliability and service extends throughout North America and around the world.

RSL representatives will discuss all aspects of your particular program requirements with you, incorporating them into an overall master-plan. We will work hand in hand with you from the earliest stages of the design process, through to production in our cutting-edge manufacturing facility, installation by factory certified installers, and well beyond project completion to ensure complete satisfaction and spectator safety.

***In all the phases of your project, RSL delivers to you only the highest quality and the confidence that comes with it.***

## Trust us to take your project from **Concept...**



Your project is special. You don't want to trust something this important to just anyone, that's why you trust RSL.

**Not only do we build the only telescopic seating system that is built "Kodiak Strong" .... *WE BUILD CONFIDENCE!***



## ***...to Completion!***



# Strength of the Kodiak Seating System

**Using heavier gauge steel, heftier understructure, and superior design, the Kodiak Seating System is built to be the sturdiest and best performing bleacher in the industry.**

**A. Posi-Drive Electric Operation:** The Kodiak Seating System uses self-weighted independently hinged tractors, the best in the industry. Posi-Drive systems are installed on 3-30 row bleachers on both wood and synthetic floors.

**B. Wheels:** 4" x 1.2" diameter soft non-marring wheels. 8-12 per row for a sure footing and consistently smooth pulls.

**C. One Piece Wheel Channels:** 1 piece 11 gauge C-channel gives you precise wheel alignment and maximum rigidity. Heaviest in the industry.

**D. Posi-Slide Rod-Guide System:** Ensures a straight and smooth pull every time. Captive 1/2" cold-rolled steel rod. Heaviest in the industry.

**E. Row Locks:** Kodiak Seating's 1/4" steel row-locks automatically engage and release for controlled operation every time. Heaviest in the industry.

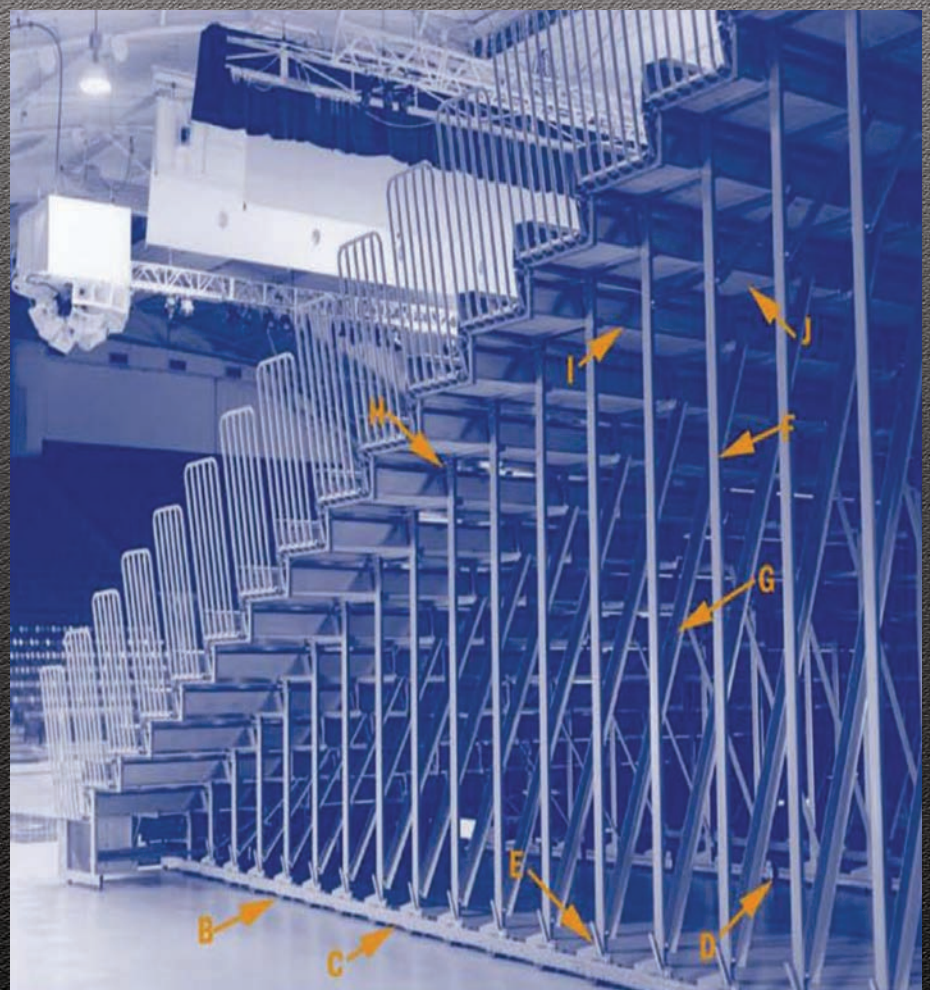
**F. Vertical Support Columns:** Minimum size is 11 gauge closed-seam structural steel tubing 1.5" x 3", with 1.5" x 4.5" when required. Heaviest in the industry.

**G. Steel Angle Sway Bracing:** Kodiak Seating's angle iron steel bracing gives superior support over flat steel bracing or formed steel, 1.5" x 1.5" x 1/8" to 3.5" x 3.5" x 1/4" with additional bracing on higher row installations as required. Heaviest in the industry.

**H. Posi-Roll Upper Guide System:** Nylon roller ensures a straight and smooth pull every time.

**I. Seat and Deck Brackets:** 7-10-12 gauge steel. Heaviest in the industry.

**J. Decking:** Exterior Fir Plywood finished with Panelam, 30mill HDPE Laminate.



**Kodiak Seating gives you the peace of mind that comes from knowing that not only will your spectator seating pass all prevailing building codes and stand up to routine heavy use; it will also pass the most important test of all: **THE TEST OF TIME!****



# Kodiak Seating System:

## 2400 series telescopic bleacher

In today's multi-use facilities, a strong bleacher with minimal set up time and increased flexibility of use is a must. Fast and convenient turnaround from seating area to total floor use is essential. Our team will work closely with you in designing a system that will satisfy your needs and keep set-up time to a minimum.

A limitless range of system configurations including **truncations**, **recoverable sections**, and various **ADA options** gives you all the flexibility you need . . . for now and tomorrow. All integrated into the only bleacher on the market that is made "Kodiak Strong".

### Seating Options

**Contoured Seat Modules (CSM):**  
When you choose Kodiak Seating CSM seats, you're sitting pretty!

Kodiak Seating's deeply textured one-piece modules are available in 14 standard vibrant colours, both in 10" (254mm) and 12" (305mm) modules. All Kodiak Seating CSM seats are made from High Density Polyethylene (HDPE), injection molded, with no streaking! A 360 degree full 1" interlock ensures a tight seat to seat alignment for years to come.

**Pine Seating**  
Get the classic look of wood with the modern performance of Kodiak Seating 2400 series.

Kodiak Seating bench type seating is available in 4/4" nominal thickness. Made from Grade B+ better single species pine. This seating is double sanded and finished in 2 coats of polyurethane.



Above: Kodiak Seating CSM seating



Above: Kodiak Seating Pine seating

## Strength and Flexibility

*Kodiak Seating Gives You Both!*

### Standard CSM Colours

*\*\*Actual Colours may vary from print\*\**

Ask about seating graphics or custom pantone colours for that truly personal touch!					
Grey	Yellow	Beige	Silver Blue	Green	Dark Blue
Burgundy	Red	Orange	Purple	Sage	Blue





Above: West Point Military Academy

**Standard Row Rises:**

- 10 1/4" (260 mm)
- 11 5/8" (295 mm)

**Row to Row Deck Spacing:**

- 22" (558 mm)
- 24" (610 mm)
- 26" (660 mm)

**Standard Section Lengths:**

12' (3657 mm) to 26' (7925 mm), sections can be combined to form any nominal length called a bank. Standard bank lengths come in 2' increments.

**Bleacher Operation:**

Kodiak Seating Posi-Drive traction systems currently operate bleachers from 3-30 rows high, over both wood and synthetic flooring. For smaller budgets, low row bleacher sections (up to 7 rows) can easily be operated manually. Mid size installations (7-12 rows) may want to consider a Kodiak Seating "Mark II" portable electric tractor.

With Posi-Drive electric operation, full use of you floor space is moments away!

\*\*Additional custom rises, sections, and row spacings available\*\*



Above: 2400 Series bleacher understructure

## BLEACHER DIMENSIONS 2400 SERIES

SERIES 2400 (CAPTIVE STYLE)												
ROW	OVERALL SEATING HEIGHT				EXTENDED				CLOSED			
	RISE		RISE		SPACING		SPACING		SPACING		MAX SPACING	
	10 1/4"	260.4mm	11 5/8"	295.3mm	22"	558.8mm	24"	609.6mm	26"	660.4mm	ALL	ALL
2	2'-2"	660.4	2'-4 3/4"	730.3	3'-4 3/4"	1035.1	3'-4 3/4"	1035.1	3'-4 3/4"	1035.1	3'-4 3/4"	1035.1
3	3'-0 1/4"	920.8	3'-4 3/8"	1025.5	5'-2 3/4"	1593.9	5'-4 3/4"	1644.7	5'-6 3/4"	1695.5	3'-4 3/4"	1035.1
4	3'-10 1/2"	1181.1	4'-4"	1320.8	7'- 3/4"	2152.7	7'-4 3/4"	2254.3	7'-8 3/4"	2355.9	3'-4 3/4"	1035.1
5	4'-8 3/4"	1441.5	5'-3 5/8"	1616.1	8'-10 3/4"	2711.5	9'-4 3/4"	2863.9	9'-10 3/4"	3016.3	3'-4 3/4"	1035.1
6	5'-7"	1701.8	6'-3 1/4"	1911.4	10'-8 3/4"	3270.3	11'-4 3/4"	3473.5	12'- 3/4"	3676.7	3'-4 3/4"	1035.1
7	6'-5 1/4"	1962.2	7'-2 7/8"	2206.6	12'-6 3/4"	3829.1	13'-4 3/4"	4083.1	14'-2 3/4"	4337.1	3'-4 3/4"	1035.1
8	7'-3 1/2"	2222.5	8'-2 1/2"	2501.9	14'-4 3/4"	4387.9	15'-4 3/4"	4692.7	16'-4 3/4"	4997.5	3'-4 3/4"	1035.1
9	8'-1 3/4"	2482.9	9'-2 1/8"	2797.2	16'-2 3/4"	4946.7	17'-4 3/4"	5302.3	18'-6 3/4"	5657.9	3'-4 3/4"	1035.1
10	9'-0"	2743.2	10'-1 3/4"	3092.5	18'- 3/4"	5505.5	19'-4 3/4"	5911.9	20'-8 3/4"	6318.3	3'-4 3/4"	1035.1
11	9'-10 1/4"	3003.6	11'-1 3/8"	3387.7	19'-10 3/4"	6064.3	21'-4 3/4"	6521.5	22'-10 3/4"	6978.7	3'-4 3/4"	1035.1
12	10'-8 1/2"	3263.9	12'-1"	3683.0	21'-8 3/4"	6623.1	23'-4 3/4"	7131.1	25'- 3/4"	7639.1	3'-4 3/4"	1035.1
13	11'-6 3/4"	3524.3	13'-0 5/8"	3978.3	23'-6 3/4"	7181.9	25'-4 3/4"	7740.7	27'-2 3/4"	8299.5	3'-4 3/4"	1035.1
14	12'-5"	3784.6	14'-0 1/4"	4273.6	25'-4 3/4"	7740.7	27'-4 3/4"	8350.3	29'-4 3/4"	8959.9	3'-4 3/4"	1035.1
15	13'-3 1/4"	4045.0	14'-11 7/8"	4568.8	27'-2 3/4"	8299.5	29'-4 3/4"	8959.9	31'-6 3/4"	9620.3	3'-4 3/4"	1035.1
16	14'-1 1/2"	4305.3	15'-11 1/2"	4864.1	29'- 3/4"	8858.3	31'-4 3/4"	9569.5	33'-8 3/4"	10280.7	3'-4 3/4"	1035.1
17	14'-11 3/4"	4565.7	16'-11 1/8"	5159.4	30'-10 3/4"	9417.1	33'-4 3/4"	10179.1	35'-10 3/4"	10941.1	3'-4 3/4"	1035.1
18	15'-10"	4826.0	17'-10 3/4"	5454.7	32'-8 3/4"	9975.9	35'-4 3/4"	10788.7	38'- 3/4"	11601.5	3'-4 3/4"	1035.1
19	16'-8 1/4"	5086.4	18'-10 3/8"	5749.9	34'-6 3/4"	10534.7	37'-4 3/4"	11398.3	40'-2 3/4"	12261.9	3'-4 3/4"	1035.1
20	17'-6 1/2"	5346.7	19'-10"	6045.2	36'-4 3/4"	11093.5	39'-4 3/4"	12007.9	42'-4 3/4"	12922.3	3'-4 3/4"	1035.1
21	18'-4 3/4"	5607.1	20'-9 5/8"	6340.5	38'-2 3/4"	11652.3	41'-4 3/4"	12617.5	44'-6 3/4"	13582.7	3'-4 3/4"	1035.1
22	19'-3"	5867.4	21'-9 1/4"	6635.8	40'- 3/4"	12211.1	43'-4 3/4"	13227.1	46'-8 3/4"	14243.1	5'-6 3/4"	1695.5
23	20'-1 1/4"	6127.8	22'-8 7/8"	6931.0	41'-10 3/4"	12769.9	45'-4 3/4"	13836.7	48'-10 3/4"	14903.5	5'-6 3/4"	1695.5
24	20'-11 1/2"	6388.1	23'-8 1/2"	7226.3	43'-8 3/4"	13328.7	47'-4 3/4"	14446.3	51'- 3/4"	15563.9	5'-6 3/4"	1695.5
25	21'-9 3/4"	6648.5	24'-8 1/8"	7521.6	45'-6 3/4"	13887.5	49'-4 3/4"	15055.9	53'-2 3/4"	16224.3	5'-6 3/4"	1695.5
26	22'-8"	6908.8	25'-7 3/4"	7816.9	47'-4 3/4"	14446.3	51'-4 3/4"	15665.5	55'-4 3/4"	16884.7	5'-6 3/4"	1695.5
27	23'-6 1/4"	7169.2	26'-7 3/8"	8112.1	49'-2 3/4"	15005.1	53'-4 3/4"	16275.1	57'-6 3/4"	17545.1	5'-6 3/4"	1695.5
28	24'-4 1/2"	7429.5	27'-7"	8407.4	51'- 3/4"	15563.9	55'-4 3/4"	16884.7	59'-8 3/4"	18205.5	5'-6 3/4"	1695.5
29	25'-2 3/4"	7689.9	28'-6 5/8"	8702.7	52'-10 3/4"	16122.7	57'-4 3/4"	17494.3	61'-10 3/4"	18865.9	5'-6 3/4"	1695.5
30	26'-1"	7950.2	29'-6 1/4"	8998.0	54'-8 3/4"	16681.5	59'-4 3/4"	18103.9	64'- 3/4"	19526.3	5'-6 3/4"	1695.5

\*NOTE: DIMENSIONS ARE BASED ON A WALL MOUNTED, 10" CSM SEATING BLEACHER, NO FRONT STEP, HEIGHTS TAKEN TO 1/2 CSM SEAT



# Kodiak Seating System: 3200 series platform seating

For a truly first class facility, choose the Kodiak Seating System 3200 series telescopic platforms with our Plastic, Padded, or Fully Upholstered fold-down chairs. Available in a variety of colours, these are the ultimate in comfort and prestige . . . all the while, maximizing the functionality of your facility.

Combining the unsurpassed comfort of Kodiak Seating's individual chairs and the versatility of the telescopic platforms, individual chair systems are gaining popularity in high schools, universities, music halls, auditorium/cafeteriums or any place where comfort, style, and versatility are the final goal.

## Available Chair Options:

For maximum choice, the Kodiak Seating System VIP fold-down chairs are available in a variety of styles and sizes. Choose from plastic, padded, or fully upholstered for the chair. Available chair accessories are arm rests and writing tablets (on select models only).

*All models can fold down up to 8 chairs at a time with spring assisted foot pedal operation, located conveniently along each aisle step for maximized efficiency in set up and take down operations.*

## Available Standard Section Lengths:

12' (3657 mm) to 20' (6096 mm)  
sections can be joined to form any nominal bank length of 2' increments.

## Available Standard Row Rises:

10 1/4" (260 mm)  
11 5/8" (295 mm)

## Available Standard Row to Row Spacing:

30" (760 mm)  
32" (813 mm)  
33" (838 mm)

## Bleacher Operation:

Manual  
Posi-Drive traction system



Above: Tournament Capital Center, Kamloops, BC



Above: University of Lethbridge, Lethbridge, AB

Below: Alberta Children's Hospital, Calgary, AB



**Kodiak Seating VIP Seats are:  
Flexible > Adjustable > Durable**





Above: Florida Gulf Coast University, Ft. Meyers, FL



Above: Keyano College, Ft. McMurray, AB



Above: Florida Atlantic University, Boca Raton, FL

## BLEACHER DIMENSIONS 3200 SERIES

SERIES 3200 (CAPTIVE STYLE)												
ROW	OVERALL SEATING HEIGHT				EXTENDED				CLOSED			
	RISE		RISE		SPACING		SPACING		SPACING		MAX SPACING	
	10' 1/4"	260.4mm	11' 5/8"	295.3mm	30"	762.0mm	32"	812.8mm	33"	838.2mm	ALL	ALL
1	1'-8"	508.0	1'-10 3/4"	577.9	3'-8 3/4"	1136.7	3'-10 3/4"	1187.5	3'-11 3/4"	1212.9	3'-11 3/4"	1212.9
2	2'-6 1/4"	768.4	2'-10 3/8"	873.2	6'-2 3/4"	1898.7	6'-6 3/4"	2000.3	6'-8 3/4"	2051.1	3'-11 3/4"	1212.9
3	3'-4 1/2"	1028.7	3'-10"	1168.5	8'-8 3/4"	2660.7	9'-2 3/4"	2813.1	9'-5 3/4"	2889.3	3'-11 3/4"	1212.9
4	4'-2 3/4"	1289.1	4'-9 5/8"	1463.7	11'-2 3/4"	3422.7	11'-10 3/4"	3625.9	12'-2 3/4"	3727.5	3'-11 3/4"	1212.9
5	5'-1"	1549.4	5'-9 1/4"	1759.0	13'-8 3/4"	4184.7	14'-6 3/4"	4438.7	14'-11 3/4"	4565.7	3'-11 3/4"	1212.9
6	5'-11 1/4"	1809.8	6'-8 7/8"	2054.3	16'-2 3/4"	4946.7	17'-2 3/4"	5251.5	17'-8 3/4"	5403.9	3'-11 3/4"	1212.9
7	6'-9 1/2"	2070.1	7'-8 1/2"	2349.6	18'-8 3/4"	5708.7	19'-10 3/4"	6064.3	20'-5 3/4"	6242.1	3'-11 3/4"	1212.9
8	7'-7 3/4"	2330.5	8'-8 1/8"	2644.8	21'-2 3/4"	6470.7	22'-6 3/4"	6877.1	23'-2 3/4"	7080.3	3'-11 3/4"	1212.9
9	8'-6"	2590.8	9'-7 3/4"	2940.1	23'-8 3/4"	7232.7	25'-2 3/4"	7689.9	25'-11 3/4"	7918.5	3'-11 3/4"	1212.9
10	9'-4 1/4"	2851.2	10'-7 3/8"	3235.4	26'-2 3/4"	7994.7	27'-10 3/4"	8502.7	28'-8 3/4"	8756.7	3'-11 3/4"	1212.9
11	10'-2 1/2"	3111.5	11'-7"	3530.7	28'-8 3/4"	8756.7	30'-6 3/4"	9315.5	31'-5 3/4"	9594.9	3'-11 3/4"	1212.9
12	11'-3/4"	3371.9	12'-6 5/8"	3825.9	31'-2 3/4"	9518.7	33'-2 3/4"	10128.3	34'-2 3/4"	10433.1	3'-11 3/4"	1212.9
13	11'-11"	3632.2	13'-6 1/4"	4121.2	33'-8 3/4"	10280.7	35'-10 3/4"	10941.1	36'-11 3/4"	11271.3	3'-11 3/4"	1212.9
14	12'-9 1/4"	3892.6	14'-5 7/8"	4416.5	36'-2 3/4"	11042.7	38'-6 3/4"	11753.9	39'-8 3/4"	12109.5	3'-11 3/4"	1212.9
15	13'-7 1/2"	4152.9	15'-5 1/2"	4711.8	38'-8 3/4"	11804.7	41'-2 3/4"	12566.7	42'-5 3/4"	12947.7	3'-11 3/4"	1212.9
16	14'-5 3/4"	4413.3	16'-5 1/8"	5007.0	41'-2 3/4"	12566.7	43'-10 3/4"	13379.5	45'-2 3/4"	13785.9	3'-11 3/4"	1212.9
17	15'-4"	4673.6	17'-4 3/4"	5302.3	43'-8 3/4"	13328.7	46'-6 3/4"	14192.3	47'-11 3/4"	14624.1	3'-11 3/4"	1212.9
18	16'-2 1/4"	4934.0	18'-4 3/8"	5597.6	46'-2 3/4"	14090.7	49'-2 3/4"	15005.1	50'-8 3/4"	15462.3	3'-11 3/4"	1212.9
19	17'-1/2"	5194.3	19'-4"	5892.9	48'-8 3/4"	14852.7	51'-10 3/4"	15817.9	53'-5 3/4"	16300.5	3'-11 3/4"	1212.9
20	17'-10 3/4"	5454.7	20'-3 5/8"	6188.1	51'-2 3/4"	15614.7	54'-6 3/4"	16630.7	56'-2 3/4"	17138.7	3'-11 3/4"	1212.9
21	18'-9"	5715.0	21'-3 1/4"	6483.4	53'-8 3/4"	16376.7	57'-2 3/4"	17443.5	58'-11 3/4"	17976.9	6'-8 3/4"	2051.1
22	19'-7 1/4"	5975.4	22'-2 7/8"	6778.7	56'-2 3/4"	17138.7	59'-10 3/4"	18256.3	61'-8 3/4"	18815.1	6'-8 3/4"	2051.1
23	20'-5 1/2"	6235.7	23'-2 1/2"	7074.0	58'-8 3/4"	17900.7	62'-6 3/4"	19069.1	64'-5 3/4"	19653.3	6'-8 3/4"	2051.1
24	21'-3 3/4"	6496.1	24'-2 1/8"	7369.2	61'-2 3/4"	18662.7	65'-2 3/4"	19881.9	67'-2 3/4"	20491.5	6'-8 3/4"	2051.1
25	22'-2"	6756.4	25'-1 3/4"	7664.5	63'-8 3/4"	19424.7	67'-10 3/4"	20694.7	69'-11 3/4"	21329.7	6'-8 3/4"	2051.1
26	23'-1/4"	7016.8	26'-1 3/8"	7959.8	66'-2 3/4"	20186.7	70'-6 3/4"	21507.5	72'-8 3/4"	22167.9	6'-8 3/4"	2051.1
27	23'-10 1/2"	7277.1	27'-1"	8255.1	68'-8 3/4"	20948.7	73'-2 3/4"	22320.3	75'-5 3/4"	23006.1	6'-8 3/4"	2051.1
28	24'-8 3/4"	7537.5	28'-0 5/8"	8550.3	71'-2 3/4"	21710.7	75'-10 3/4"	23133.1	78'-2 3/4"	23844.3	6'-8 3/4"	2051.1
29	25'-7"	7797.8	29'-0 1/4"	8845.6	73'-8 3/4"	22472.7	78'-6 3/4"	23945.9	80'-11 3/4"	24682.5	6'-8 3/4"	2051.1
30	26'-5 1/4"	8058.2	29'-11 7/8"	9140.9	76'-2 3/4"	23234.7	81'-2 3/4"	24758.7	83'-8 3/4"	25520.7	6'-8 3/4"	2051.1

\*NOTE: DIMENSIONS ARE BASED ON A WALL MOUNTED, CHAIR SEATING BLEACHER, NO FRONT STEP, HEIGHTS TAKEN TO 1/2 LAST ROW CHANNEL



# Seating Configurations:

## A - Wall Attached (Forward Fold) System:

This is the most typical application of telescopic seating in which the bleachers open in the forward direction. They are available up to 30 rows and utilize either wall or freestanding floor attachment. Closes from first to last (top) row and operation is either electric or manual.

## B - Reverse-Fold System:

Reverse-fold systems are designed where space behind bleacher stack area is desired for other activities when the bleacher is not in use. This design is common in areas such as balconies and mezzanines. Up to 20 rows can be specified with this system (over 20 rows consult factory). Closes from last to first (bottom or lowest) row. Electric or manual operation.

## C - Portable System:

Portable systems are designed so that they may be used in one part of a building and stored in another. They consist of freestanding single sections of bleachers. Portable hydraulic dollies are provided for transporting bleachers to various spectator or storage areas. Manual operation only. Check floor condition and consult factory regarding point loads.

## D - Recessed System:

This system requires minimal clearance to fit under a balcony overhang, thereby allowing total utilization available playing surface. Up to 30 rows can be specified with this system (over 30 rows consult the factory). Closes from the first to last (top) row. Electric or manual operation.

**Custom Seating Arrangements are Available!**

## Reverse-Fold/Delayed Action:

Same as reverse-fold except when bleachers are folded into a closed position the bleachers move forward to recover the front aisle area, resulting in additional usable space behind the closed bleacher.

## Truncated Sections:

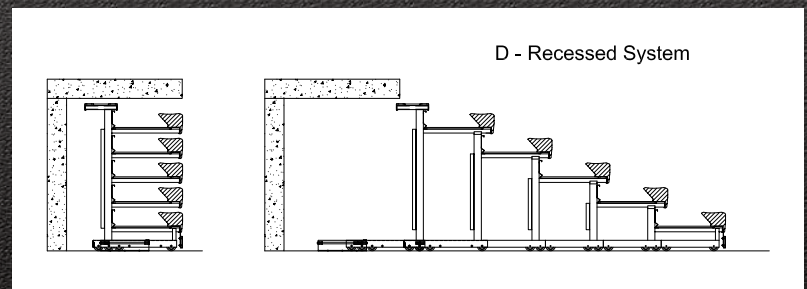
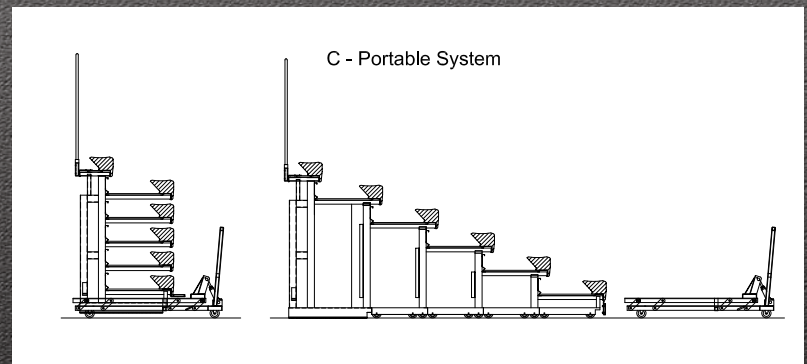
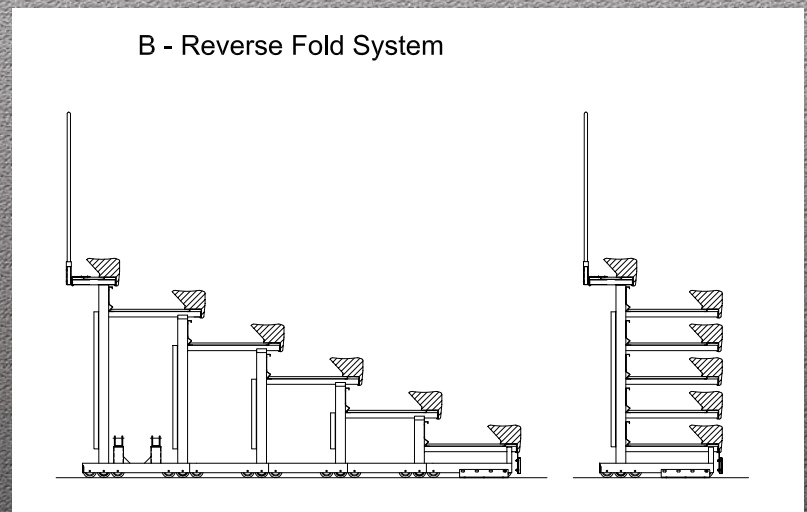
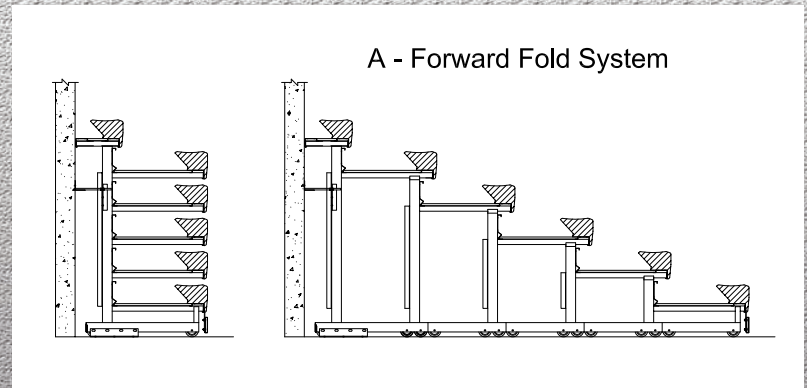
Cut-outs for the requirement of wheelchair seating, to comply with the Americans with Disabilities Act.

## Elevated Front and Rear Walkways:

To improve sightlines or comply with code.

## Cut-Outs:

For columns that extend out from a wall.

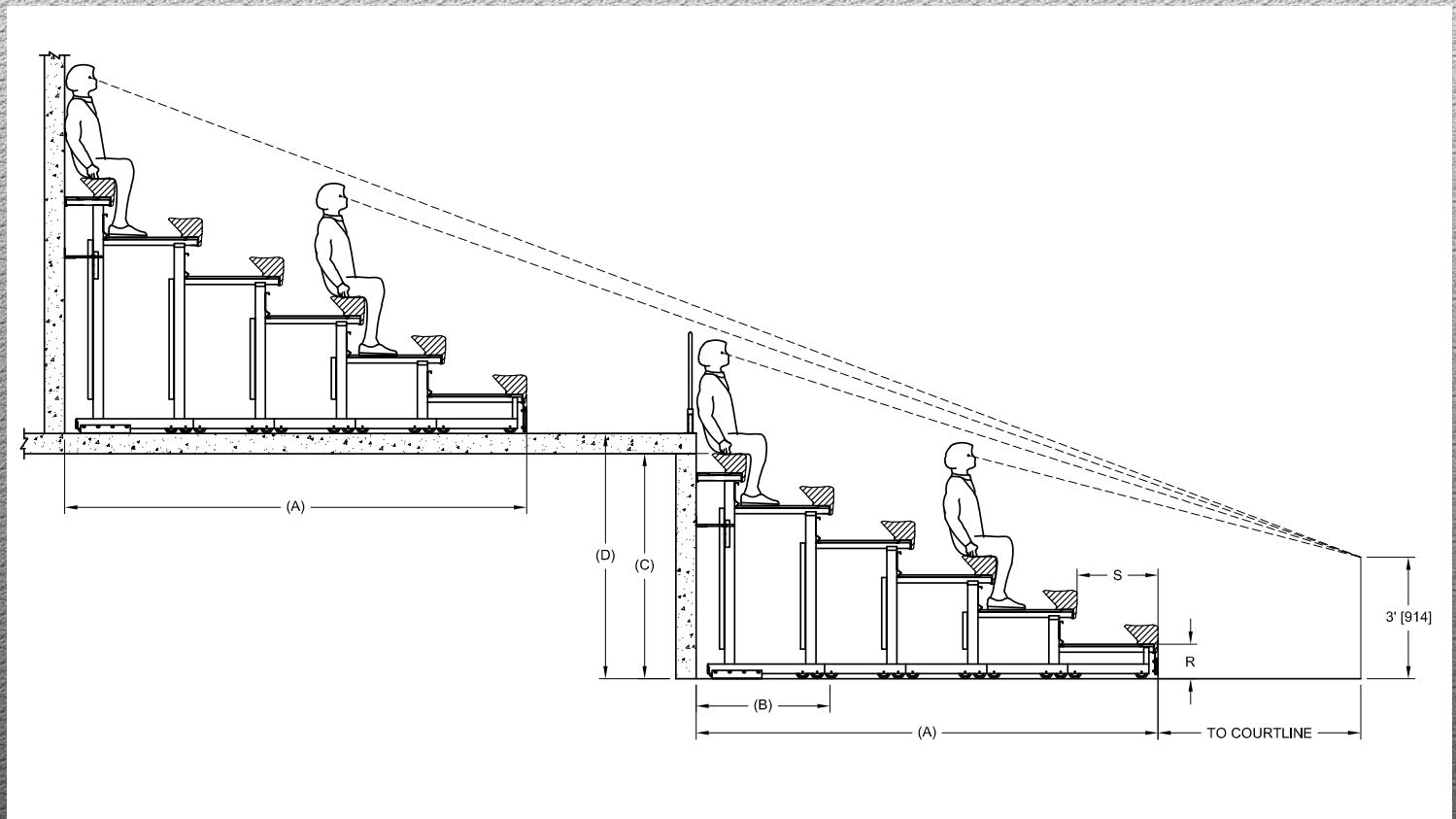


**For a digital copy of specifications go to:  
[www.kodiakseating.com](http://www.kodiakseating.com) or  
email [info@kodiakseating.com](mailto:info@kodiakseating.com)**



# Capacities & Sightlines

## TECHNICAL INFORMATION



### SIGHTLINE CALCULATIONS

Balcony Height "D" should exceed unit height "C" by 8" (203 mm) maximum from top-row floorboard.

**Legend:** (for illustration and space charts)

(A) Depth of telescopic seating extended

(B) Depth of telescopic seating closed

(C) Height of unit

(D) Balcony height (when top loading consult engineering department)

S = Seating spacing - 22" (559 mm), 24" (610 mm), 26" (660 mm), 30" (762 mm), 32" (813 mm), 33" (838 mm)

R = Rise 10 1/4" (260 mm), 11 5/8" (295 mm)

### SEATING CAPACITY

1. Gross Seating (Lineal Feet) x (Number of Rows) / 1.5 (based on an 18" seat)
2. Approximate Net Seating: Multiply #1 x .85 to allow for aisles and ADA considerations

*For help please contact your local Kodiak Seating representative or call us direct at: (204) 224-3221*

***A Range of Seating Options and Strategies***  
*your choice in comfort, seating capacity, and economy.*



# Kodiak Seating System: Accessories & ADA

## Kodiak Seating ADA Configurations

**Fixed ADA cut-outs:** non recoverable ADA cut-outs are available in either 1 or 2 rows deep. Place these at the corners of any section for your most economical and convenient solution with no additional set up.

**Recoverable ADA cut-outs:** can be placed at the corners of any section, in 1 row deep configurations. They can be locked to the first row when not needed for ADA seating, providing the full recoverability of valuable seating space, and because they are locked to the front row, you only set them up when needed.

**Full section 1st row Truncations:** Available in permanent and recoverable configurations from 12-20 feet. Full section truncations offer flexibility of use and ease of set up. For maximum convenience, Kodiak Seating recommends a maximum of 1 truncated section per bleacher area. The Kodiak Seating approach to full section truncations allows for tractor placement under the first row (not second), greatly reducing set up time. (No convenient manual first row on electrically operated bleachers as with other manufacturers systems)

## Common Kodiak Seating Options and Accessories

**Self Storing End Rails** - Eliminate storage needs with the self storing end rail. Adds 12" to each end of the bank length.

**End Panels** - Keep unwanted material from getting behind bleachers in the stored position by adding End Panels to the back wall on either side of the bleacher bank.

**Rear Panels** - Keep unwanted material from getting under bleachers - ideal for reverse folding configuration.

**Scorers Tables** - Standard Size 96" (2349 mm) x 15" (381 mm)

**Hydraulic Transporters** - For portable configurations only.

**Vinyl End Closures (VEC)** - Keep unwanted material from getting under the bleachers while it is extended or retracted. Made with heavy duty vinyl coated polyester, the closure is able to flex and fold with the bleachers every move.

**Mark II** - Portable Electric Tractor - Add the ease of electric operation to manually operated bleachers. Ideal for medium sized bleachers up to 13 rows.

**Stainless Steel P-Rails** - Kodiak Seating's P-Rails are non-removable folding aisle handrails. The mounting pocket allows rails to pivot and fold sideways. The Kodiak P-Rail is the only center aisle rail in the industry that offers the aesthetic beauty, durability, and zero maintenance convenience of stainless steel.





# Examples & References

## Recent Projects







ALL OF OUR PRODUCTS  
ARE BUILT ...  
KODIAK STRONG

RSL Manufacturing builds lasting quality and strength into everything we manufacture. Whether you need telescopic seating, basketball backstops, or time tested game standards, RSL gives you the highest quality and the confidence that comes along with it. RSL is your one source solution for all your gymnasium facility or auditorium needs.

### OUR FULL CANADIAN PRODUCT LINE INCLUDES ...

Basketball Backstops • Volleyball/Badminton Standards  
Fixed Spectator and Theatre Seating • Retractable Spectator and Theatre Seating

*INTERNATIONAL PRODUCT OFFERING INCLUDES SEATING ONLY*

*so contact us . . .*

## Kodiak Seating (A Division of RSL)

Lockport, Manitoba, Canada  
Tel: (204) 224-3221  
Fax: (204) 757-4618  
Web: [www.kodiakseating.com](http://www.kodiakseating.com)

**Represented By:**



[www.kodiakseating.com](http://www.kodiakseating.com)